

# YGROS YSV

THE EXTRACTABLE MAGNETIC CHECK VALVE

*FOR FLUIDS, STEAM AND GAS*



**YGROS<sup>®</sup>**  
**VALVES**  
*Let it flow*

**“YGROS patented technology sets new standards in the world of plant design, thanks to a patented magnetic principle replacing the conventional spring in Non Return Valves”**

*Suitable for horizontal, vertical up and down installation*

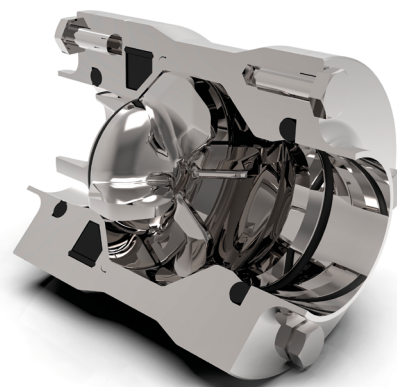
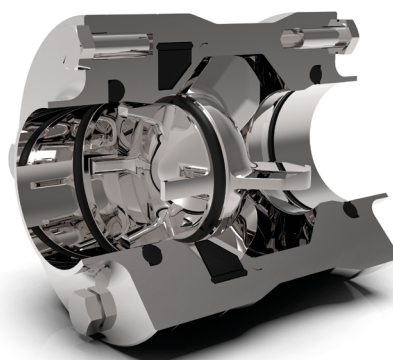
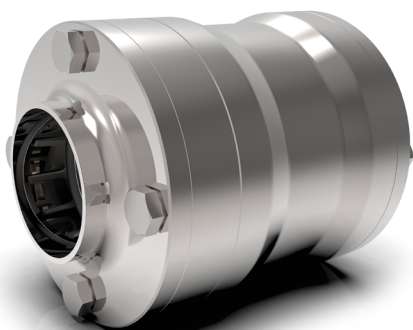
**For fluids, steam and gas. Up to 150°C**

*Finally the Extractable Model of YGROS Magnetic Check Valves*



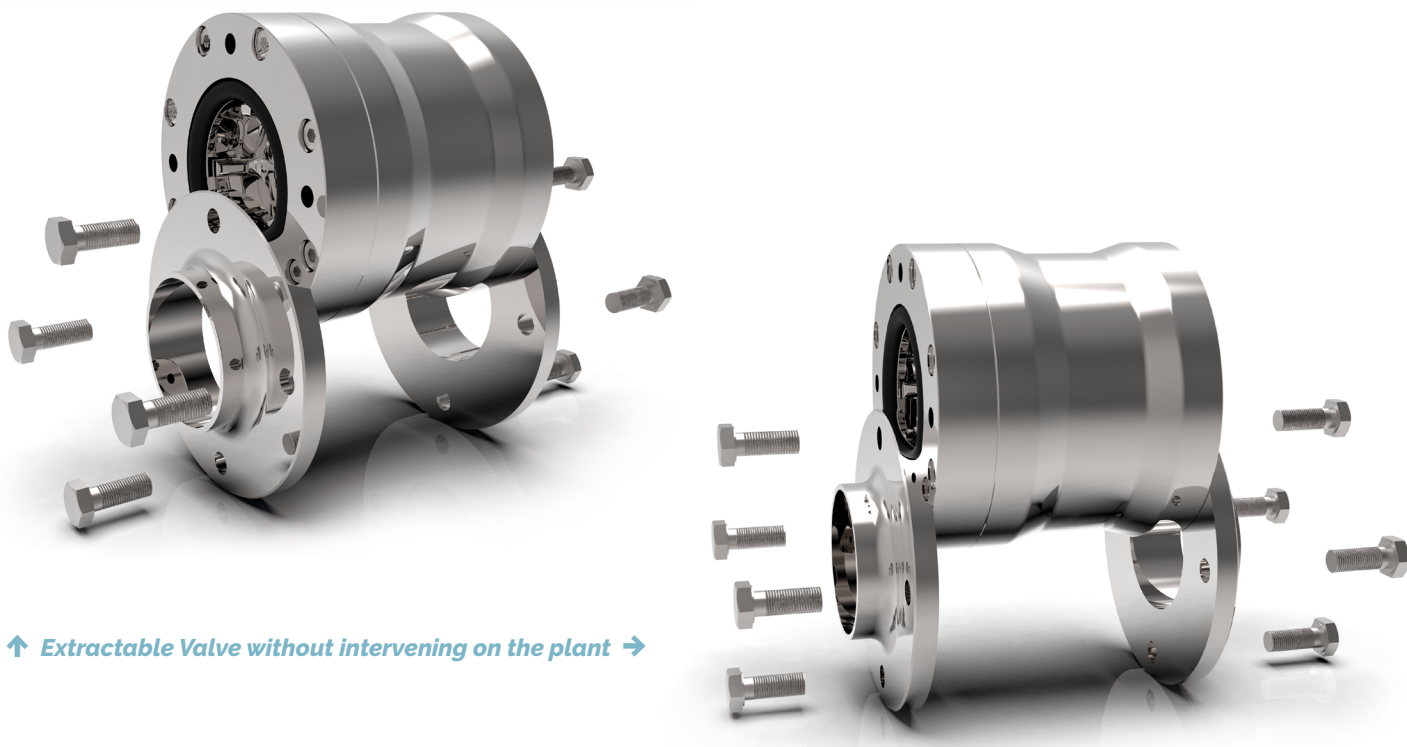
### **BENEFITS:**

- *Energy Saving:* The innovative working principle and design allow for a smooth flow, minimizing pressure drop
- Extractable Valve without intervening on the plant
- *Any installation position possible:* unlike other check valves, an Ygros Valve can be installed in horizontal and vertical up and down positions
- *Laminar flow:* no turbulences
- Maintenance free

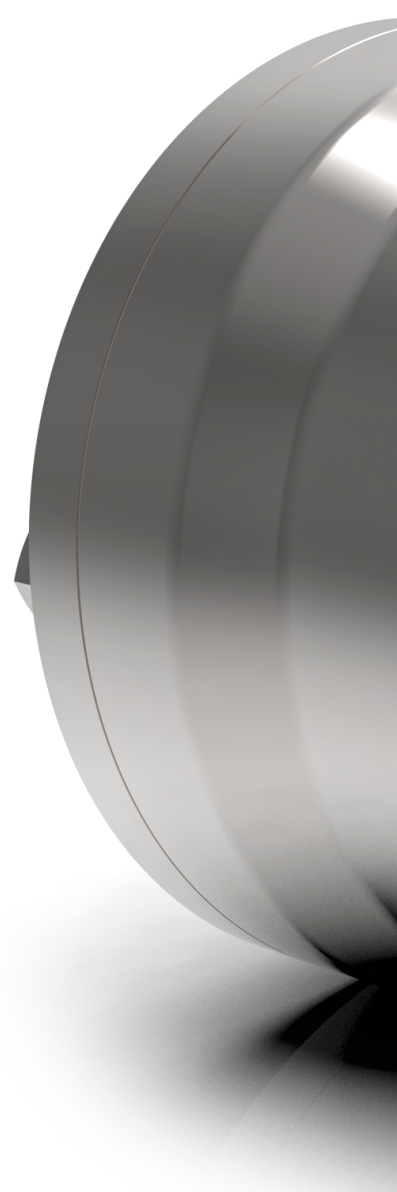


## TECHNICAL DATA

Product contact materials	Body and flanges: Stainless steel 1.4404 (AISI 316L) Shutter: 1.4462 (Duplex)
Seal material options	EPDM, NBR, HNBR, VMQ (Silicone), FKM (Viton), FEP, PTFE <small>*If the valve is 3A certified, HNBR, FEP and PTFE are NOT available</small>
Surface finishes	<ul style="list-style-type: none"> <li>• Internal: <math>Ra \leq 0.8</math> (standard), up to <math>Ra \leq 0.4</math> electropolished and passivated (optional)</li> <li>• External: <math>Ra \leq 3.2</math> (standard), up to <math>Ra \leq 0.4</math> electropolished and passivated (optional)</li> </ul>
End connection options	WELDING DIN 11850 (DIN 11866 Reihe A) WELDING ASME BPE (DIN 11866 Reihe C)
Sizes	From DN25 to DN100 / From 1" to 4"
Temperature range	-40°C / +150°C
Operating pressure	PN16
Media	Liquid, Gas, Steam
Certifications (on request)	31 / FDA / Surface roughness / EC 1935/2004 / 3-A



↑ Extractable Valve without intervening on the plant →



**CAROLLO SRL**

Via Pettinà Luigi, 24 - 36010 ZANE' (VI) ITALY **Tel.** +39 0445 314158 - **Fax** +39 0445 319538

**E-mail** [ygros@ygros.com](mailto:ygros@ygros.com)

**Web** [www.ygros.com](http://www.ygros.com)

