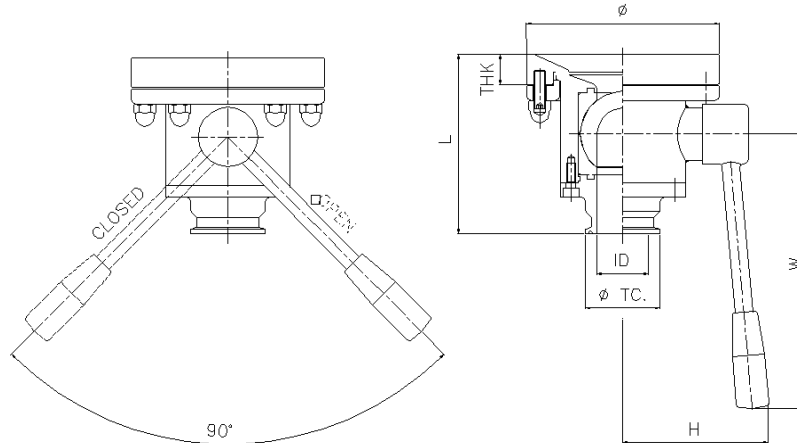


## VSS-TB-TK Flush Tank Bottom

### MANUAL HANDLE



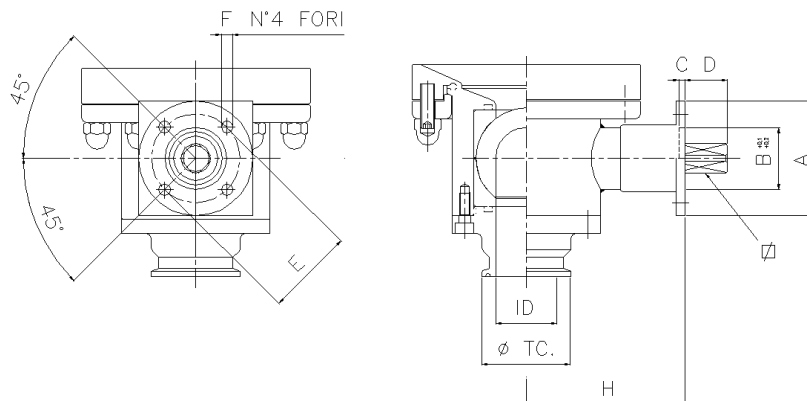
Dimensions table

CODE	INCH	DN	øTC	ID	L	W	H	TK-Conn	ø	Thk
VSK-100AJ-VMSI-11A	1"	25	50,4	22,1	95	72	155	2"1/2	112	17
VSK-150AM-VMSI-11A	1" 1/2	40	50,4	34,8	120	85	185	3"	130	20
VSK-200AN-VMSI-11A	2"	50	64	47,5	140	95	185	4"	170	20
VSK-250AO-VMSI-11A	2" 1/2	65	77,4	60,2	150	100	245	4"	170	20
VSK-300AP-VMSI-11A	3"	80	90	72,9	170	115	245	6"	220	30
VSK-400AR-VMSI-11A	4"	100	118,8	97,6	Not applicable with TK-Connections					

Special executions available on request :

TK-Conn Welding plate with radius or bigger different thickness, extended tube for orbital welding, special adaptors plate

### ISO 5211 MOUNTING PAD FOR PNEUMATIC ACTUATOR



Dimensions table

CODE	A	B	C	D	E	F	ISO	□	Nm	H
Actuator type	SR-DA	SR-DA	SR-DA	SR-DA	SR-DA	SR-DA	SR-DA	SR-DA	@	
VSK-100AJ-VW-11A	ø55-45	30-25	2,5	11,5-10	42-50	5,5-6,5	F04-F05	11-9	30	
VSK-150AM-VW-11A	ø65	35	3,5	14,5-12	50	6,5	F05	14-11	60	
VSK-200AN-VW-11A	ø65	35	3,5	14,5	50	6,5	F05	17-14	120	
VSK-250AO-VW-11A	ø85	35	3,5	19-14,5	70	8,5	F07	22-17	180	
VSK-300AP-VW-11A	ø85	35	3,5	19-14,5	70	8,5	F07	22-17	240	
VSK-400AR-VW-11A	ø150-120	85-55	3,5	25-18	125-102	13-11	F12-F10	27-22	480	

Pneumatic actuator type : SR = Simple Effect, spring return DA= Double Effect, air to close

@ Maximum break-out torque in Nm.

**Get the information you need and more at : [info@aerreinox.it](mailto:info@aerreinox.it)**

In the interests of development and improvement of the product, we reserve the right to change the specifications without prior notice.