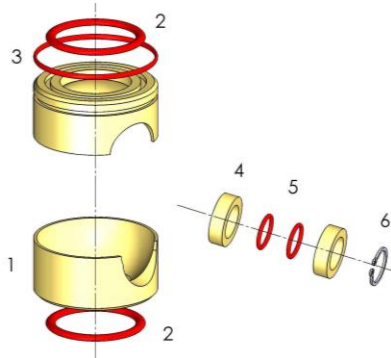


Spare Parts KIT for Tank Bottom Ball Valve

VSF – (Welding Plate) Tank Bottom Ball Valve



item	q.ty	description	material
1	2	cavity filled seat	TFM PTFE
2	2	o-ring seat	FKM
3	1	o-ring heads	FKM
4	2	stem guide bushing	PTFE + 25% glass
5	2	o-ring stem	FKM
6	1	elastic ring (seeger)	AISI 304 stainless steel

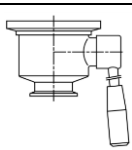


Code **VSS cavity filled seat**
TFM PTFE for high purity service
for size 1" to 3"

Code **VSV seat**
TFM PTFE for steam service
for size 4" only

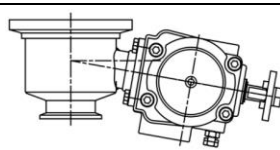
Ordering CODE for manual valve

KSF-100-V-M- (#)
KSF-150-V-M- (#)
KSF-200-V-M- (#)
KSF-250-V-M- (#)
KSF-300-V-M- (#)
KSF-400-V-M- (#)



Ordering CODE for pneumatic valve

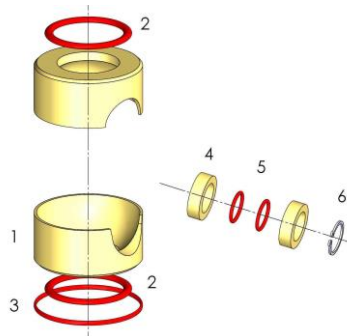
KSF-100-V-P- (#)
KSF-150-V-P- (#)
KSF-200-V-P- (#)
KSF-250-V-P- (#)
KSF-300-V-P- (#)
KSF-400-V-P- (#)



(#) = 01 complete
standard kit
(#) = 02 orings only

other orings material on request

VSK – (TKC connection) Tank Bottom Ball Valve



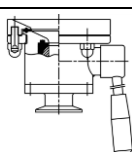
item	q.ty	description	material
1	2	cavity filled seat	TFM PTFE
2	2	o-ring seat	FKM
3	1	o-ring heads	FKM
4	2	stem guide bushing	PTFE + 25% glass
5	2	o-ring stem	FKM
6	1	elastic ring (seeger)	AISI 304 stainless steel



Code **VSS cavity filled seat**
TFM PTFE for high purity service
for size 1" to 2 1/2"

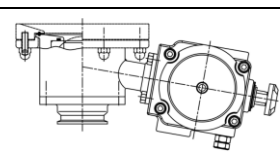
Ordering CODE for manual valve

KSK-100-V-M- (#)
KSK-150-V-M- (#)
KSK-200-V-M- (#)
KSK-250-V-M- (#)



Ordering CODE for pneumatic valve

KSK-100-V-P- (#)
KSK-150-V-P- (#)
KSK-200-V-P- (#)
KSK-250-V-P- (#)



(#) = 01 complete
standard kit
(#) = 02 orings only

other orings material on request

Get the information you need and more at : info@erreinox.it

In the interests of development and improvement of the product, we reserve the right to change the specifications without prior notice.

Aerre Inox s.r.l.

26010 FIESCO Via Gerola n.4 -CREMONA - Italy
Tel. +39. 0374. 370828 Fax +39. 0374. 370833
e-mail : info@erreinox.it http : www.erreinox.it