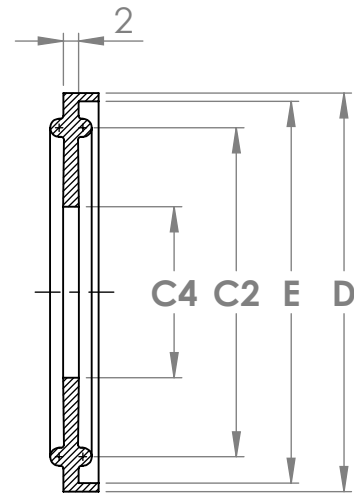
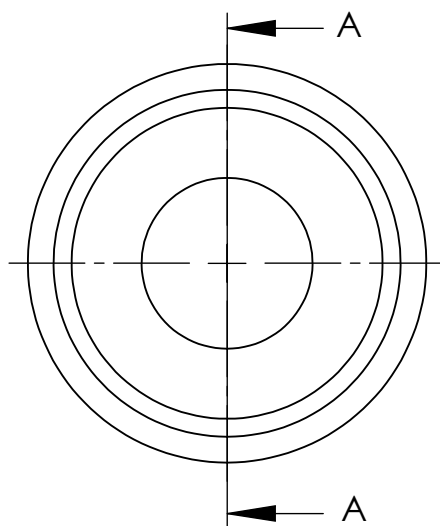
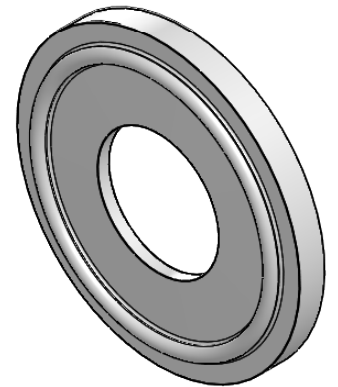
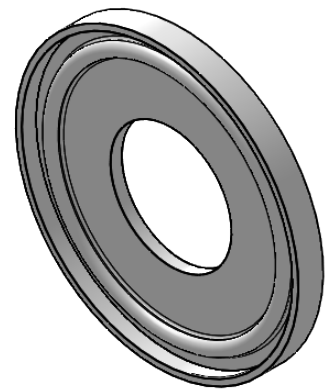


Design Table for: 0105P0003				
ASME BPE	E	C4	C2	D
1"	50,5	22,6	43,5	52,7
1,5"	50,5	35,4	43,5	52,7
2"	64,0	47,9	56,5	66,2
2,5"	77,5	61,0	70,5	79,7
3"	91,0	73,5	83,5	93,2
4"	119,0	98,2	110,0	121,2
4,5"	130,0	110,5	122,0	132,2
5"	144,0	125,4	134,5	146,2
5,5"	155,0	135,9	146,0	157,2
6"	167,0	147,2	156,5	169,2
8"	217,4	198,0	207,0	219,6
10"	268,0	250,2	257,0	270,2
12"	319,0	298,2	309,0	321,2



SECTION A-A

UP Ultrapharma

info@ultrapharma.com
www.ultrapharma.com

1967 DB Heemskerk
The Netherlands

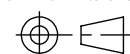
T: +31-(0)251-207050
F: +31-(0)251-207055

CONFIGURATION
see table

DESCRIPTION:
ASME-BPE ELASTOMER FLANGED

The information contained in this drawing is the sole property of Ultrapharma BV. Any reproduction in part or as a whole without written permission of Ultrapharma BV is prohibited.

3RD ANGLE PROJECTION



UNITS:
mm

SCALE:
1:1

SHEETSIZE
A4