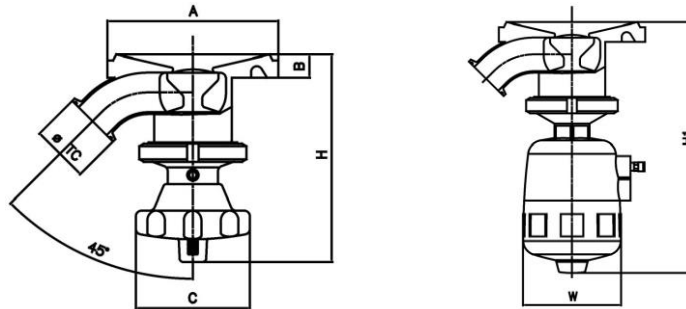




VAF - S/TC Flush Tank Bottom welded body



(..) T → TFM PTFE
(..) X → Silicone
(...) MD → manual actuator
(...) PB → pneumatic actuator

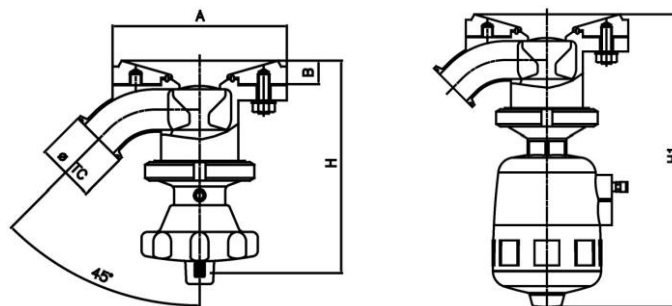
Dimensions table

CODE	INCH	DN	-TC	ID	A	B	C	H	W	H1
VAF-100-020AJ-(..)(...)-71A	1"	25	50,4	22,1	100	20	100	165	80	208
VAF-150-030AM-(..)(...)-71A	1" 1/2	40	50,4	34,8	150	30	100	180	101	260
VAF-200-030AN-(..)(...)-71A	2"	50	64	47,5	180	30	100	200	126	320
VAF-300-035AP-(..)(...)-71A	3"	80	90	72,9	200	35	100	270	158	380
VAF-400-040AR-(..)(...)-71A	4"	100	118,8	97,6	Available on request only					

Special executions available on request :

- Welding plate with radius or bigger different thickness, special adaptors plate
- TFM 1600 PTFE bellow diaphragm for high viscosity products
- 45°Outlet port butt weld
- Stainless steel handle / pneumatic actuator
- Adjustable flow regulator
- Mechanical / inductive control box

VAR - FL/TC Flanged body removable



(..) T → TFM PTFE
(..) X → Silicone
(...) MD → manual actuator
(...) PB → pneumatic actuator

Dimensions table

CODE	INCH	DN	-TC	ID	A	B	H	H1
VAR-100AJ-(..)(...)-71A	1"	25	50,4	22,1	100	15	175	220
VAR-150AM-(..)(...)-71A	1" 1/2	40	50,4	34,8	150	20	190	270
VAR-200AN-(..)(...)-71A	2"	50	64	47,5	180	20	205	330
VAR-300AP-(..)(...)-71A	3"	80	90	72,9	200	35	275	390
VAR-400AR-(..)(...)-71A	4"	100	118,8	97,6	Available on request only			

Special executions available on request :

- Welding plate with radius or bigger different thickness, special adaptors plate
- TFM 1600 PTFE bellow diaphragm for high viscosity products
- 45°Outlet port butt weld
- Stainless steel handle / pneumatic actuator
- Adjustable flow regulator
- Mechanical / inductive control box

Get the information you need and more at : info@aerinox.it

In the interests of development and improvement of the product, we reserve the right to change the specifications without prior notice.

Aerre Inox s.r.l.

26010 FIESCO Via Gerola n.4 -CREMONA - Italy
Tel. +39. 0374. 370828 Fax +39. 0374. 370833
e-mail : info@aerinox.it http : www.aerinox.it