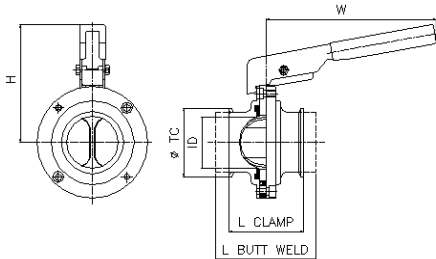


VF Standards Dimensions and torque values



Features / Technical Data

Size	from 3/4" up to 10"
Seal	Silicone, Epdm, Fkm
Connections	clamp, butt weld (ASME-BPE)
Actuator	Handle 90° on/off # pneumatic simple effect ##
Material	AISI 316L – 1.4404
Surface Finish	Internal Ra average ≤ 0,5µm External mirror polish
Max Working Pressure	10 barg
Max Working Temperature	from 0° up to 150°C

Dimensions table

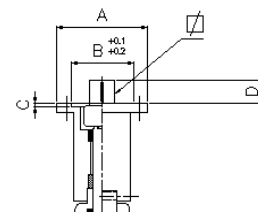
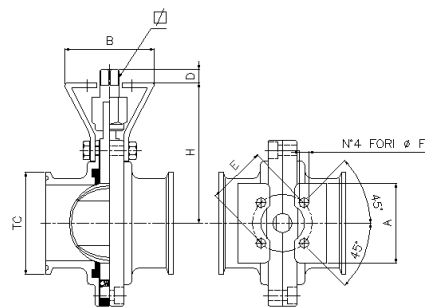
CODE	INCH	DN	TC	ID	LBW	LTC	W	H
VFS-075AHAH-...M2P-11A6	3/4"	20	25	15,7	65	65	160	90
VFS-100AJAJ-...M2P-11A	1"	25	50,4	22,1	65	65	160	90
VFS-150AMAM-...M2P-11A	1 1/2"	40	50,4	34,8	65	70	160	93
VFS-200ANAN-...M2P-11A	2"	50	64	47,5	70	70	160	100
VFS-250AOAO-...M2P-11A	2 1/2"	65	77,5	60,2	70	70	160	110
VFS-300APAP-...M2P-11A	3"	80	91	72,9	75	70	190	115
VFS-400ARAR-...M2P-11A	4"	100	119	97,6	85	80	190	130
VFS-600AVAV-...M2P-11A	6"	150	167	146,8	74	122	370	202
VFS-800AWAW-...M2P-11A	8"	200	217,5	197,8	70	125	370	225
VFS-A10AXAX-...M2P-11A	10"	250	268,5	248,6	94	94	370	250

L overall length = standard LTC clamped

special end connections available on request as following:

VFS-A..B.. clamp/butt weld	VFS-A..S.. clamp/flanged PN6	VFS-B..B.. BS-OD butt weld/butt weld
VFS-O..O.. DIN 11851 female/female	VFS-N..O.. DIN11851 male+liner/fem	VFS-N..N.. DIN11851 male+liner/male+liner
VFS-O..S.. DIN 11851 fem/ flanged PN6	VFS-S..S.. flanged PN6/ flanged PN6	VFS-M..M.. BSP female/BSP female
VFS-M..L.. BSP female/BSP male	VFS-L..L.. BSP male/BSP male	VFS-F..F.. DIN11850 butt weld/butt weld

ISO 5211 MOUNTING
PAD
FOR PNEUMATIC
ACTUATOR



for 6" - 8" - 10"
only

Dimensions table

CODE	A	B	C	D	E	F	ISO	□	Nm	H
Actuator type	RE-DA	RE-DA	RE-DA	RE-DA	RE-DA	RE-DA	RE-DA	RE-DA	@	mm
VFS-075AHAH-...W-11A6	50	60	-	7	36-50	6-7	F05-F07	14	15	75
VFS-100AJAJ-...W-11A	50	60	-	7	36-50	6-7	F05-F07	14	15	75
VFS-150AMAM-...W-11A	50	60	-	7,5	36-50	6-7	F05-F07	14	15	79
VFS-200ANAN-...W-11A	60	72	-	13,5	42-50	6-7	F05-F07	14	30	99,5
VFS-250AOAO-...W-11A	60	72	-	11,5	42-50	6-7	F05-F07	17	60	103,5
VFS-300APAP-...W-11A	60	72	-	11,5	42-50	6-7	F05-F07	17	60	110,5
VFS-400ARAR-...W-11A	90	110	-	13	70	9	F07-F10	17-22	120	128
VFS-600AVAV-...W-11A	95	70	3	20,5	72	11	F10	22	240	181,5
VFS-800AWAW-...W-11A	-	-	-	-	-	-	-	-	-	-
VFS-A10AXAX-...W-11A	-	-	-	-	-	-	-	-	-	-

Pneumatic actuator type : RE = Simple Effect, spring return DA= Double Effect, air to close
@ Maximum break-out torque in Nm.

check for the last updates of this document on our website www.aerinox.it

In the interests of development and improvement of the product, we reserve the right to change the specifications without prior notice.

Aer Inox s.r.l.

26010 FIESCO Via Gerola n.4 -CREMONA- Italy
Tel. +39.0374.370828 Fax +39.0374.370833
e-mail : info@aerinox.it <http://www.aerinox.it>