

Article number: CL-TH-###-#P  
 Material: ASTM 304SS (EN 1.4301)

1 Port

2 Port

3 Port

4 Port



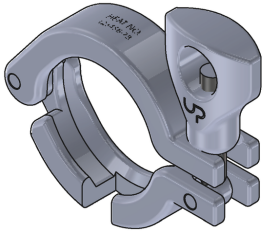
## SIZES

Article number	ASME BPE (in inch)	Flange OD (mm)	L (mm)	H (mm)	W (mm)	D (mm)	R (mm)
CL-TH-050/075-1P/2P/3P/4P	½" - ¾"	25	60	59.5	19	70.3	53
CL-TH-034-1P/2P/3P/4P	34	34	78	72	18.8	91	68
CL-TH-100/150-1P/2P/3P/4P	1" - 1½"	50.5	93	83	18.9	107	75
CL-TH-200-1P/2P/3P/4P	2"	64	111	89.5	18.9	118	80
CL-TH-250-1P/2P/3P/4P	2½"	77.5	123	97	18.9	131	85
CL-TH-300-1P/2P/3P/4P	3"	91	141	102	18.8	146	94
CL-TH-400-1P/2P/3P/4P	4"	119	166	130	18.9	170	109

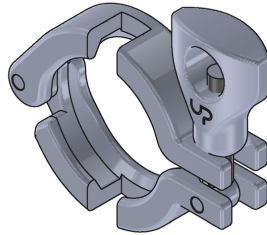
Good to know:

- maximum recommended pressure 4 Bar (58PSI)
- 3.1 certificate available upon request

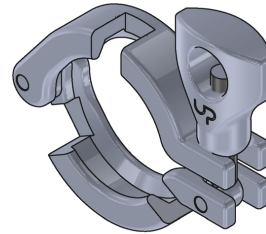
1 Port



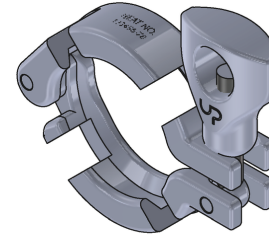
2 Port



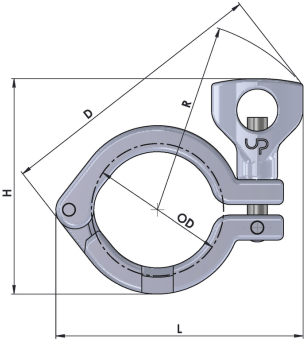
3 Port



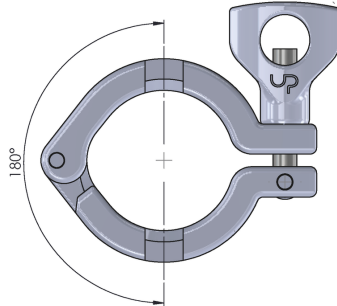
4 Port



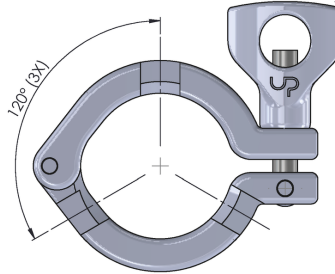
1 Port



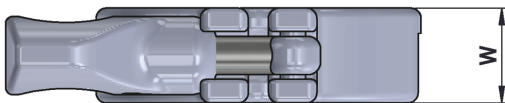
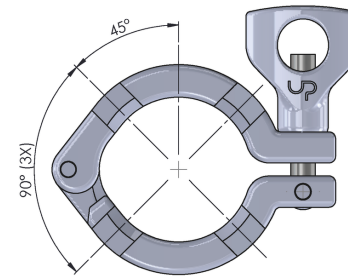
2 Port



3 Port



4 Port



This information is accurate to the best of our knowledge. We advise the users of our products to perform their own testing for chemical compatibility and suitability for particular applications.

**Ultrapharma BV**

De Droogmakerij 12 1851 LX Heiloo The Netherlands  
[www.ultrapharma.com](http://www.ultrapharma.com) | +31 856 200 900 | [info@ultrapharma.com](mailto:info@ultrapharma.com)