

Article number: 13MHHS-###-U
 Material: ASTM 304SS (EN 1.4301)

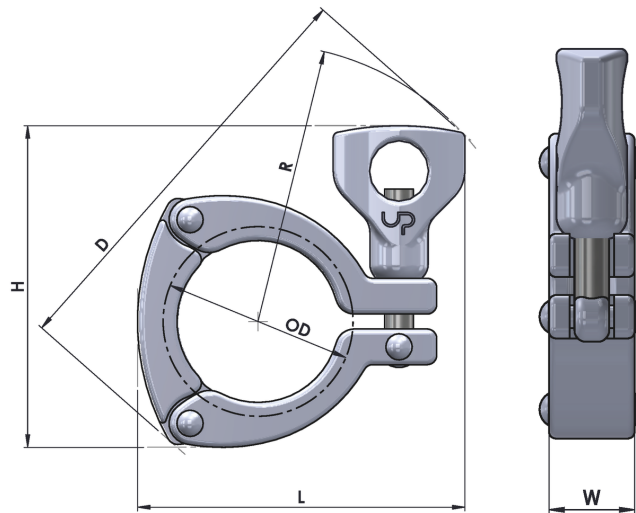
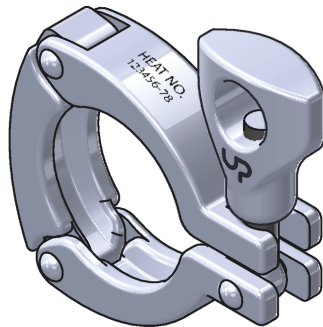


SIZES

Article number	ASME BPE (in inch)	Flange OD (mm)	L (mm)	H (mm)	W (mm)	D (mm)	R (mm)
13MHHS-100/150-U	1" - 1½"	50.5	88	86	19	117	76
13MHHS-200-U	2"	64	101	93	19	126	79
13MHHS-250-U	2½"	77.5	118	100	18.8	137	86
13MHHS-300-U	3"	91	134	111	18.8	154	91
13MHHS-400-U	4"	119	164	137	18.8	175	107

Good to know:

- all clamps carry their heat numbers
- maximum recommended pressure 25 Bar (375PSI)
- 3.1 certificate available upon request



This information is accurate to the best of our knowledge. We advise the users of our products to perform their own testing for chemical compatibility and suitability for particular applications.