

Article number **13LAH-###-U**

Material ASTM 304SS (EN 1.4301)


Sizes

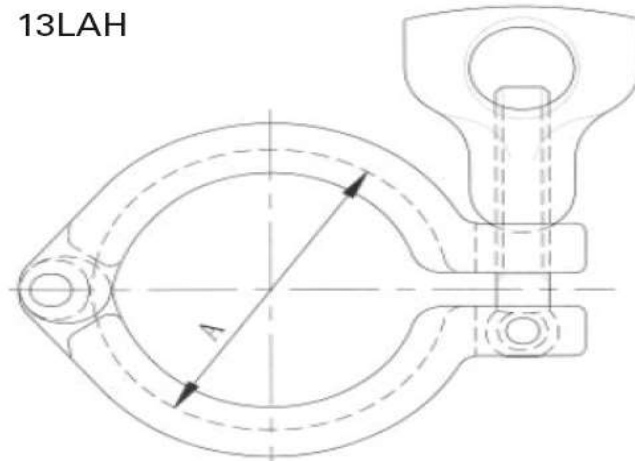
DIN32676 DN##	ASME-BPE in inch	Flange OD in mm	Diam. A in mm	Article number
DN08-20		34.0	37.70	13-LAH-034-U
	0.5"-0.75"	25.0	31.75	13-LAH-050/075-U
DN20-40	1"-1.5"	50.5	53.59	13-LAH-100/150-U
	2"	64.0	66.90	13-LAH-200-U
DN50	2.5"	77.5	80.59	13-LAH-250-U
DN65	3"	91.0	93.98	13-LAH-300-U
DN80	3.5"	106.0	108.28	13-LAH-350-U
DN100	4"	119.0	122.00	13-LAH-400-U
DN115*	4.5"	130.0	133.68	13-LAH-450-U
DN125	5.5"	155.0	158.00	13-LAH-550-U
	6"	167.1	170.05	13-LAH-600-U
DN150	6.625"	183.0	187.00	13-LAH-6625-U
DN200	8.625"	233.5	238.00	13-LAH-8625-U
DN250	10"	268.0	272.80	13-LAH-1000-U
DN300	12"	319.0	322.45	13-LAH-1200-U

Traceability and certification

- all clamps carry their heat numbers



- 3.1 certificate available upon request

13LAH


This information is accurate to the best of our knowledge. We advise the users of our products to perform their own testing for chemical compatibility and suitability for the particular applications.